



# Cetetherm AquaPlate



A range of removable plate and gaskets heat exchangers

## APPLICATIONS

Heat exchangers for comfort heating or domestic hot water (DHW) applications with capacities between 30kW and 1000 kW. Applications:

- Apartment blocks
- Hospitals
- Hotels
- Retirement homes and care centres
- Schools
- Leisure centres
- Tertiary buildings

## GENERAL

- Heat exchangers with stainless steel 316 plates, highly efficient and easily removable
- Plate thickness 0.5 mm or 0.4 mm depending on the model
- Gaskets of excellent sanitary quality in EPDM FF or EPDM W depending on the model, type., type «Clip-on»
- Easy maintenance
- Possibility of capacity extension
- Thick steel frame with durable epoxy paint
- Nuts and bolts in electro-galvanized steel
- 2 aluminum guides for disassembling / mounting or adding plates
- Support feet with 3 fixing holes
- Standard operating in countercurrent flow direction and parallel, with possibility to operate in co-current
- ACS certified heat exchangers on the complete range (French sanitary certification)
- On AP600 series: additional secondary connections for adding extras like valves, drain valves, temperature sensors...
- PPE insulation included

Operating limits	Design température	Design Pressure
Primary	110°C	10 bar
Secondary	110°C	10 bar

## DOMESTIC HOT WATER APPLICATION

Primaire 80°C Secondaire 10-60°C					Primaire 70°C Secondaire 10-60°C					Weight (kg)	Article numbers
Primary flow rate (m3/h)	Primary pres. drop (kPa)	Capacity (kW)	flow rate per second (L/s)	pres. drop per second (kPa)	Primary flow rate (m3/h)	Primary pres. drop (kPa)	Capacity (kW)	flow rate per second (L/s)	pres. drop per second (kPa)		
1.2	48	30	0.1	9	1.2	48	18	0.1	4	41	AP407
2.8	32	95	0.5	12	2.8	32	60	0.3	5	43	AP417
5.2	42	175	0.8	16	5.2	42	110	0.5	8	46	AP427
6.3	25	260	1.2	14	6.3	25	175	0.8	6	50	AP445
6.0	44	280	1.3	32	6.0	45	195	0.9	16	82	AP515
6.8	29	345	1.6	24	6.8	30	248	1.2	13	85	AP521
7.2	35	410	2.0	36	7.2	35	300	1.4	20	107	AP619M
8.7	29	510	2.4	32	8.7	29	370	1.8	18	122	AP625M
12.5	33	730	3.5	37	12.5	33	540	2.6	21	127	AP633M
14.3	16	900	4.3	20	14.3	16	680	3.2	12	143	AP657M
3.5	35	230	1.1	47	3.5	35	180	0.9	30	102	AP615H
4.5	34	300	1.4	48	4.4	33	210	1.1	29	107	AP619H
5.9	34	400	1.9	48	5.8	28	310	1.5	26	123	AP627H
9.5	35	640	3.1	50	7.8	24	425	2.0	23	130	AP639H
12.0	38	775	3.8	50	11.0	32.3	570	2.8	30	137	AP647H
16.0	32	1100	5.3	47	16.9	34	908	4.3	31	149	AP671H
17.7	29	1230	5.9	44	17.7	27	970	4.6	25	158	AP685H

For other power ratings or temperature regimes, please consult us.

**HEATING APPLICATION  
AND CALCULATIONS ARE VALID FOR TEMPERATURES BETWEEN 40°C AND 90°C**

Delta T° 20 - DTLM 10° - Pdc 20 kpa			
Type	Capacity (kw)	Flow rate m <sup>3</sup> /h prim/sec	Weight (Kg)
AP417	30	1.3	43.0
AP427	50	2.2	46.0
AP437	75	3.2	49.0
AP515	100	4.3	82.0
AP521	142	6.1	85.0
AP625L	260	11.2	122.0
AP629L	310	13.3	124.0
AP633L	350	15.1	126.0
AP639L	410	17.6	130.0
AP645L	470	20.2	135.0

Delta T° 20 - DTLM 5° - Pdc 20 kpa			
Type	Capacity (kw)	Flow rate m <sup>3</sup> /h prim/sec	Weight (Kg)
AP615H	65	2.8	104.0
AP619H	85	3.7	107.0
AP625M	115	4.9	122.0
AP633M	160	6.9	127.0
AP639M	190	8.2	130.0
AP651M	258	11.1	139.0
AP657M	290	12.5	143.0
AP669M	355	15.3	148.0
AP677M	405	17.4	153.0
AP685M	450	19.4	158.0

Delta T° 20 - DTLM 10° - Pdc 30 kpa			
Type	Capacity (kw)	Flow rate m <sup>3</sup> /h prim/sec	Weight (Kg)
AP417	30	1.3	43.0
AP427	50	2.2	46.0
AP437	75	3.2	49.0
AP515	110	4.7	82.0
AP521	170	7.3	85.0
AP625L	260	11.2	122.0
AP629L	315	13.5	124.0
AP633L	350	15.1	126.0
AP639L	440	18.9	130.0
AP645L	510	21.9	135.0

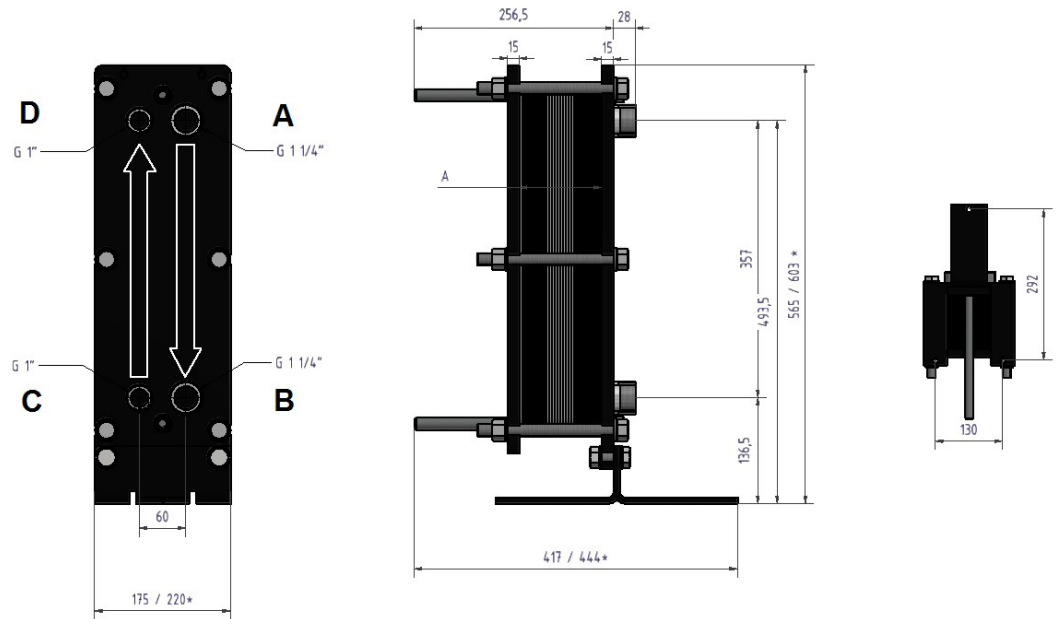
Delta T° 20 - DTLM 5° - Pdc 30 kpa			
Type	Capacity (kw)	Flow rate m <sup>3</sup> /h prim/sec	Weight (Kg)
AP615H	80	3.4	104.0
AP619H	100	4.3	107.0
AP623H	130	5.6	120.0
AP629H	165	7.1	124.0
AP635H	200	8.6	128.0
AP647H	265	11.4	137.0
AP653H	305	13.1	140.0
AP661H	350	15.1	142.0
AP671H	405	17.4	149.0
AP679H	450	19.4	154.0
AP685H	480	20.6	158.0

Delta T° 20 - DTLM 10° - Pdc 50 kpa			
Type	Capacity (kw)	Flow rate m <sup>3</sup> /h prim/sec	Weight (Kg)
AP417	30	1.3	43.0
AP427	50	2.2	46.0
AP437	75	3.2	49.0
AP515	110	4.7	82.0
AP521	170	7.3	85.0
AP625M	290	12.5	122.0
AP631M	365	15.7	125.0
AP635M	405	17.4	128.0
AP639M	450	19.4	130.0
AP643M	500	21.5	133.0

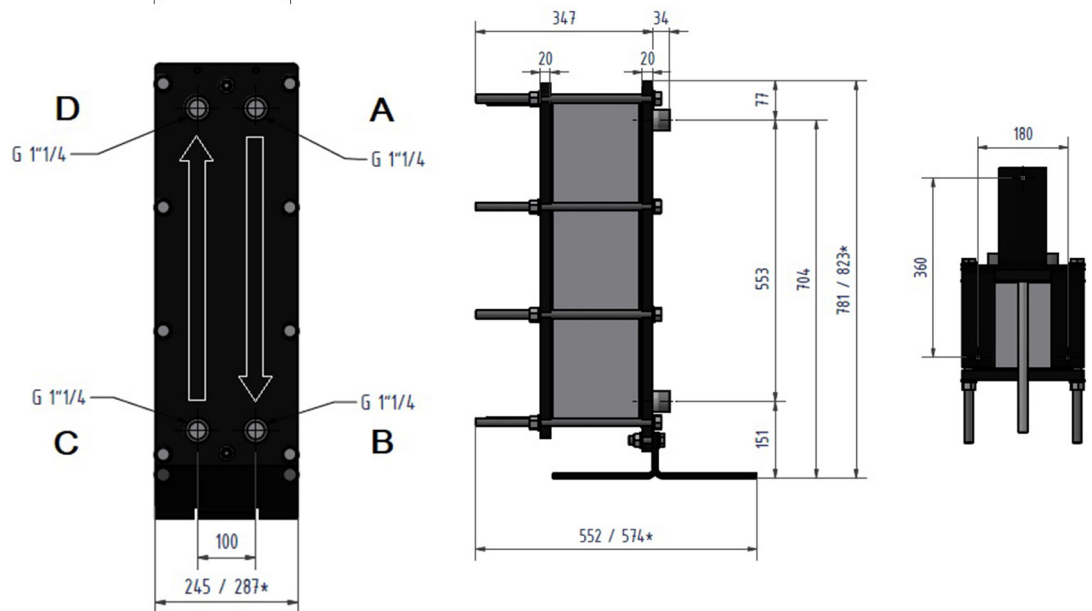
Delta T° 20 - DTLM 5° - Pdc 50 kpa			
Type	Capacity (kw)	Flow rate m <sup>3</sup> /h prim/sec	Weight (Kg)
AP615H	95	4.1	104.0
AP619H	135	5.8	107.0
AP623H	165	7.1	120.0
AP629H	215	9.2	124.0
AP635H	260	11.2	128.0
AP647H	340	14.6	137.0
AP653H	395	17.0	140.0
AP661H	455	19.6	142.0
AP671H	510	21.9	149.0

## DIMENSIONS

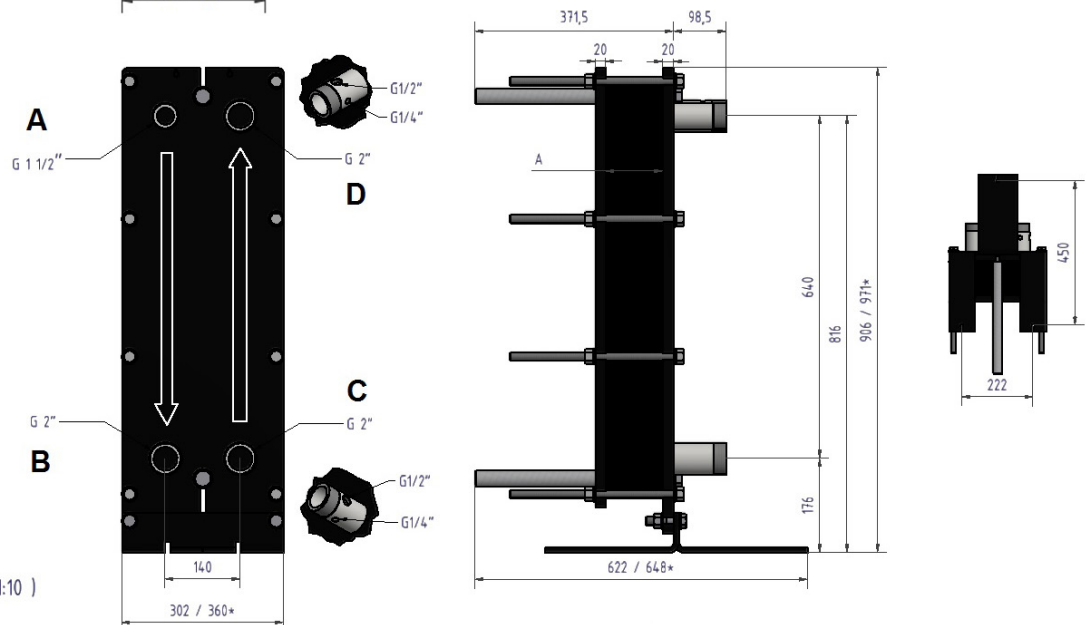
### AQUAPLATE AP400



### AQUAPLATE AP500



### AQUAPLATE AP600



- A Primary inlet
- B Primary outlet
- C Secondary inlet
- D Secondary outlet
- \* With PPE insulation

A ( 1:10 )